

*Performance
Edition*

Power Nozzle SE
Owner's Manual

TABLE OF CONTENTS

Message from the Manufacturer	1
Important Safeguards	2
Assembly	4
Electrified Hose	5
Operation and Care	6
To Reset Circuit Breaker	6
Service Information	6
Replacing A Worn Belt	7
Operations Checklist	8



The Power Nozzle is to be used with the Rainbow Model D4C.

Consumer Care Number

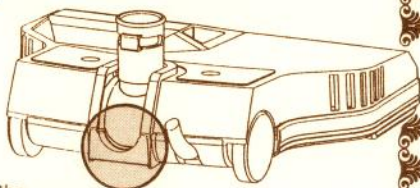
As part of Rexair's Consumer Care program, all new **Rainbow** Power Nozzles receive a Consumer Care Serial Number after passing Quality Control testing at the factory. This serial number assists in providing:

1. Ownership identification for you
2. Warranty identification for your Distributor
3. Assurance of having cleared quality control
4. Assurance of new "factory fresh" condition

For your protection, check to see that the serial number is on the **Rainbow** Power Nozzle at the location shown on the accompanying diagram. No new **Rainbow** Power Nozzle should be sold without this number. If the number is missing, Rexair makes no claims as to the origin, age, or condition of the unit. If you can not find a serial number on your **Rainbow** Power Nozzle, please call our customer service department at (248)643-7222, fax to (248)643-7676, or write Rexair, Inc. 3221 W. Big Beaver Road, Suite 200, Troy, Michigan 48084.

For your protection record the serial number in the space provided below. Save this information for future reference.

Serial No. _____



MESSAGE FROM THE MANUFACTURER



Rexair, Inc.

REXAIR, INC., manufactures the **Rainbow** Cleaner for sale only to independent Authorized Distributors, who are experienced in direct in-the-home selling. Since Rexair does not market its product through national advertising, awareness of the product is created by the individual efforts of thousands of direct selling "dealers," who, by means of in-home demonstrations, create interest in the **Rainbow** Cleaner in their local communities. The independent Authorized Distributors with whom those dealers are affiliated assume the responsibility for the legitimate distribution and service of the **Rainbow** Cleaner directly through their own dealers, or indirectly through independent subdistributors and their dealers.

Rexair provides to its Authorized Distributors, and only to them, a written three year warranty on its products. Even though Rexair, as the manufacturer, does not deal directly with the consumer nor provide the consumer with a written warranty, the law imposes certain responsibilities on all manufacturers who make consumer products. The products must not be defective and must be generally fit for their intended uses. These implied warranties of merchantability and fitness are honored by Rexair. Further, Rexair requires each Authorized Distributor to pass through to the consumer, by way of the Authorized Distributor's own written warranty, the benefit of Rexair's warranty to such Distributor.

Rexair further requires that each Authorized Distributor make prompt and workmanlike service available through its own service outlets or through responsible independent service outlets in those communities in which it sells Rexair products through its independent subdistributors and dealers.

Do not lose the name and address of the dealer or distributor from whom you bought the **Rainbow** Cleaner. Contact him or her for advice on caring for your **Rainbow**, warranty coverage, service, and the nearest service outlet.

Rexair is highly selective regarding those it appoints as its direct customers, the Authorized Distributors. However, Rexair has no agreement or legal relationship with the independent resellers who acquire products directly or indirectly from an Authorized Distributor, and can only attempt to correct any customer complaints about such resellers by acting through the responsible Authorized Distributor. Rexair's announced policy is to hold each Authorized Distributor responsible for remedying the results of any statement or action by any of the independent resellers that may result in a complaint from any member of the buying public.

Should you have any problem, or have any question regarding the above, you should first contact the distributor or dealer from whom you purchased your **Rainbow**. If you have any problem locating that person, contact Rexair's Customer Service Department at the address listed below, being sure that you include your **Rainbow's** Serial Number. They will immediately send you the name, address and phone number of the responsible Authorized Distributor for your area. If you feel that you get no help from the Authorized Distributor, please contact us immediately. All of our Authorized Distributors know of their obligations.

For any additional information or assistance write to:

Rexair, Inc., 3221 W. Big Beaver Road, Suite 200, Troy, Michigan 48084, (248)643-7222 or fax to (248)643-7676,

Your Authorized Rainbow Distributor

Name: _____

Address: _____

Phone: _____

Dealer Signature _____

IMPORTANT SAFEGUARDS

Please read all instructions carefully before using unit. Use your **Rainbow** only for its intended use as described in the instructions. The use of attachments not recommended by Rexair may cause hazards.

WARNING — to reduce the risk of fire, electric shock, or injury, when using an electrical appliance, basic precautions should always be followed, including the following:

- 1 Close supervision is necessary when any appliance is used by or near children. Do not allow your **Rainbow** or Power Nozzle to be used as a toy or to run unsupervised at any time.
- 2 Unplug the **Rainbow** when not in use. Turn it off at the switch before unplugging. Grasp the plug to disconnect it from the wall outlet to avoid damage to cord, plug, prongs, or receptacle. Do not pull or carry by cord, use cord as a handle, close a door on cord, pull or carry around sharp edges or corners. Do not run appliance over cord. Keep cord away from heated surfaces. Do not use with damaged cord or plug.
- 3 Do not leave appliance when plugged in. Unplug **Rainbow** from outlet when not attended and before servicing.
- 4 If your **Rainbow** or Power Nozzle is in disrepair, do not attempt to operate. If your **Rainbow** or Power Nozzle is not working as it should, has been dropped, damaged, left outdoors, or dropped into water, return it to your **Rainbow** Distributor.
- 5 Do not clean the unit, or unclog the hose until the **Rainbow** is switched off and the plug is removed from the wall outlet.
- 6 Do not connect to the receptacle of an incandescent light fixture, or use any extension cords.
- 7 To avoid the possibility of fire or explosion, do not use your Power Nozzle in areas where flammable and/or explosive vapor or dust is present. Some cleaning fluids can produce such vapors. Areas on which such flammable cleaning fluids have been used should be completely dry and thoroughly aired before being vacuumed. Do not use the **Rainbow** or Power Nozzle to unplug drains. If sewer gas is drawn into the **Rainbow** it could cause an explosion.
- 8 No one should ever touch a metal sink, cold or hot water pipe with one hand while touching the metal parts of any electrical appliance, light fixture or switch with the other hand. One's body could complete an electrical circuit to the ground. Additionally, wet skin surfaces can greatly increase this hazard. Do not handle plug or appliance with wet hands.
- 9 (a) Do not put any objects into openings. Do not use with any openings blocked; Keep free of dust, lint, hair, and anything that may reduce air flow; (b) Keep hair, loose clothing, fingers, and all parts of the body away from openings and moving parts; (c) Use extra care when cleaning on stairs.



- 10 Do not pick up anything that is burning or smoking such as cigarettes, matches or hot ashes; Do not use to pick up flammable or combustible liquids such as gasoline or use in areas where they may be present.
- 11 This appliance is provided with double insulation. Use only identical replacement parts. See instructions for Servicing of Double-Insulated appliances.
- 12 Always follow these IMPORTANT SAFEGUARDS.
- 13 Your Power Nozzle contains a powerful revolving brush. To avoid bodily injury, the Power Nozzle should not be placed against or in close proximity to loose clothing, jewelry, hair or body surfaces while cleaner is connected to electrical outlet. The Power Nozzle circuit breaker does NOT protect against bodily injury or damage to objects that contact the revolving brush.

14 WARNING — To avoid risk of electrical shock, never use the electrified hose (supplied with the Power Nozzle) to pick up water or any other fluids. Use only the Rainbow hose, supplied with the Rainbow, for wet-pickup operations. Refer to page 5 for illustrations and descriptions of each hose.

15 IMPORTANT — The electrified hose contains electrical wires and should be checked regularly. Do not use if damaged, cut, or punctured. Avoid picking up sharp objects. Do not use to suck up water. Do not immerse in water for cleaning. Always turn off this appliance before connecting or disconnecting either the hose or motorized nozzle.

16 NOTE: Your Power Nozzle is equipped with a resettable circuit breaker which is designed to prevent motor overload. DO NOT attempt to by-pass or defeat this circuit breaker.

CAUTION: It is recommended that you not use the **Rainbow** to clean the fire place or the chimney flue, or any other oily or greasy compounds (such as soot) or ashes, ceramic dust, drywall, plaster dust or other powdery substances that are resistant to the wetting action of water. Do not use the **Rainbow** to pick up or in the vicinity of any volatile or toxic materials.

**USE THE RAINBOW ONLY AS DIRECTED IN
THIS OPERATION MANUAL!**

**SAVE THESE INSTRUCTIONS!
— FOR HOUSEHOLD USE ONLY —**

**WARNING: TO AVOID ELECTRICAL SHOCK
DO NOT USE OUTDOORS.**

ASSEMBLY

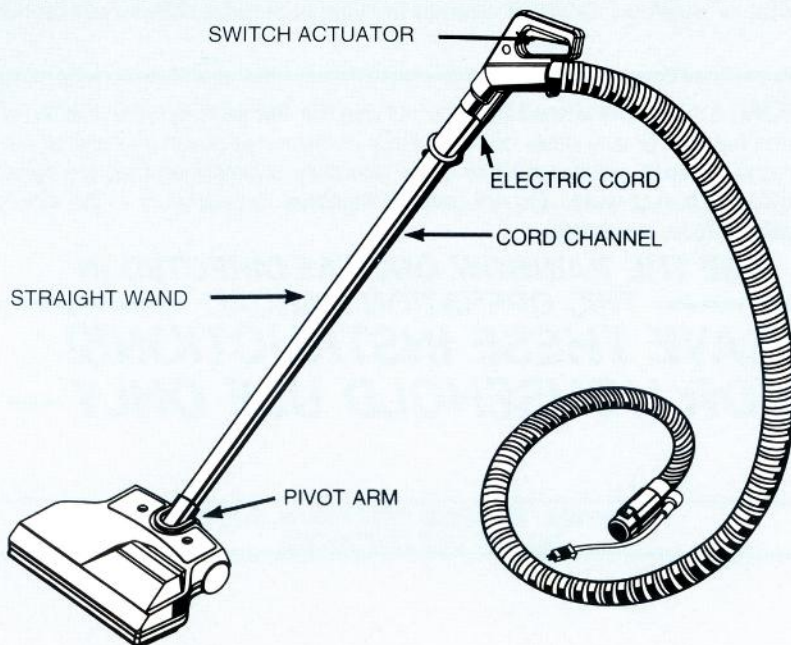
TO ASSEMBLE THE POWER NOZZLE

1. Push straight wand into pivot arm of the motorized Powerhead unit.
2. Insert the electric cord into the long cord channel guide on straight wand, by pressing the cord into channel guide with thumb.
3. Leave a bit of slack in the lower cord at the base of the straight wand (and pivot arm) to enable the handle to be raised and lowered.

SERVICING

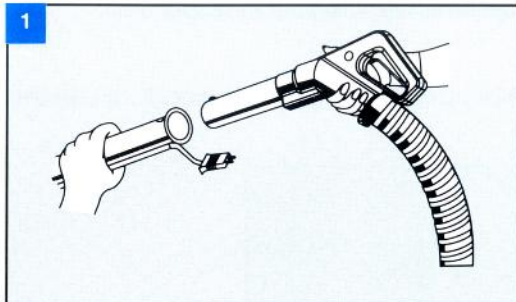
SERVICING OF DOUBLE-INSULATED APPLIANCE - In a double-insulated appliance, two systems of insulation are provided instead of grounding. No grounding means is provided on a double-insulated appliance, nor should a means for grounding be added to the appliance. Servicing a double-insulated appliance requires extreme care and knowledge of the system, and should be done only by qualified **Rainbow** service personnel. Replacement parts for a double-insulated appliance must be identical to the parts they replace. A double-insulated appliance is marked with the words "DOUBLE-INSULATION" or "DOUBLE-INSULATED." The Symbol (square within a square) may also be marked on the appliance.

Any servicing other than cleaning should be performed by an authorized **Rainbow** service representative.

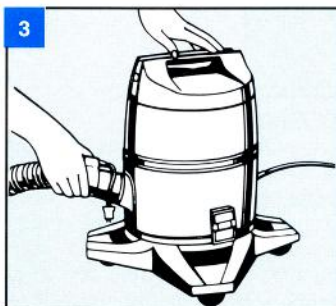
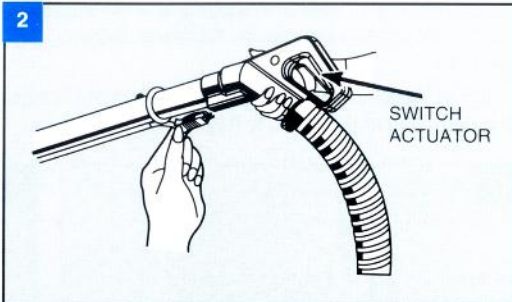


ELECTRIFIED HOSE

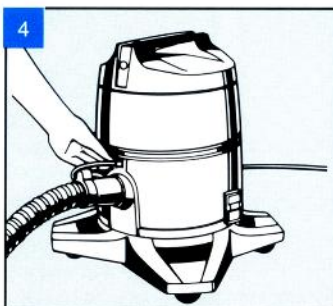
1 Push the metal wand (with handle attached) of the electrified hose into the long, straight Power Nozzle wand. Align the button latch on the handle wand so that it engages the hole in the long Power Nozzle wand.



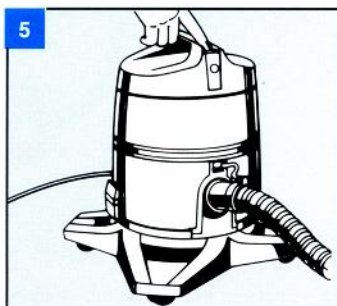
2 Plug the electric cord from the Power Nozzle into the receptacle located in the handle of the electrified hose as shown. **DO NOT** grip the switch actuator located within the hose handle.



3 Insert the metal end of electrified hose into the air intake of the **Rainbow Cleaner** until it clicks.



4 Plug the electrified hose into the special receptacle of the **Rainbow Cleaner** as shown.



5 After the electrical connections are made, the ON/OFF switch on the **Rainbow** power unit will operate both the Cleaner and the motorized Power Nozzle. The switch in the electrified hose handle will operate the Power Nozzle only. To remove the electrified hose, release the switch actuator, remove the plug from the receptacle in the **Rainbow**, press spot on the coupling marked "PRESS," and pull from machine.

WARNING: To avoid risk of electrical shock, never use the electrified hose (supplied with the Power Nozzle) to pick up water or any other fluids. Use only the Rainbow hose, supplied with the Rainbow, for wet-pickup operations. Refer to illustrations below.
THE ELECTRIFIED HOSE CONTAINS ELECTRICAL WIRES



The Rainbow® Hose

- Use for wet & dry pickup.
- Supplied with the **Rainbow**.



The Electrified Hose

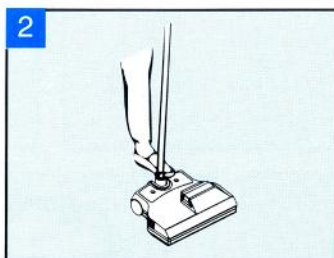
- Use only for dry pickup. To avoid risk of electrical shock, never use to pick up water or any other fluids.
- Supplied with the Power Nozzle. For use with Power Nozzle and RainbowMate.

OPERATION AND CARE

1 With the **Rainbow** at the left and to the rear, hold the Power Nozzle handle with the right hand at a comfortable angle. Grasp the hose with left hand making a loop behind the back. Squeeze the handle switch and slowly guide the Power Nozzle back and forth in smooth and easy strokes. Let the Power Nozzle and the **Rainbow** Cleaner do the work.

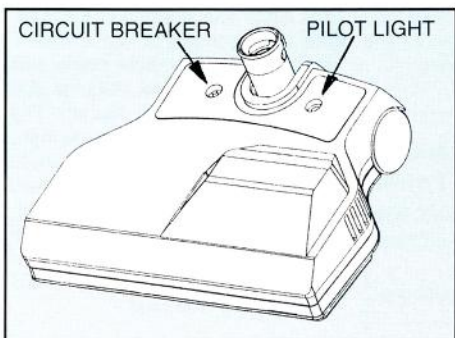
2 To lock the Power Nozzle wand in the upright position, place left foot on top of the Power Nozzle. Grasp the straight Power Nozzle wand and push forward, until the wand is fully engaged in the locking tabs. To disengage the Power Nozzle wand, follow these same steps in the reverse order.

IMPORTANT: FOR COMPLETE OPERATING INSTRUCTIONS OF THE RAINBOW CLEANER, REFER TO RAINBOW OWNER'S MANUAL.



Power Nozzle Circuit Breaker

Each Power Nozzle is protected against motor burnout by a resettable circuit breaker. In the event that the motor should become overloaded, the circuit breaker will open and automatically shut off the power to the motor. When this occurs the motor will stop running, the reset button will pop up, and the pilot light will remain lighted if the handle switch is squeezed.



To Reset Circuit Breaker

1. Disconnect unit from the electrical supply.
2. Remove any object that may have stalled the brush roll.
3. Rotate the brush roll by hand to make sure it is not frozen in position.
4. Push reset button downward until it snaps into its original position.
5. Reconnect the Power Nozzle to the electrical supply of the Rainbow Cleaner.

NOTE: Be sure to read Note 2 in the Important Safeguard Section.

SERVICE INFORMATION: PLEASE READ CAREFULLY

The performance of your new cleaner greatly depends upon home maintenance. The instructions given in this booklet will guide you in performing simple home maintenance. To obtain the most satisfying years of service, read through these instructions and keep them handy for future reference.

- Never pick up hard or sharp objects with the **Rainbow**. Items such as pins, hairpins, tacks, crayons, and pencil stubs may damage the brush roll or break a belt.
- **DO NOT OIL MOTOR.** The motor is permanently lubricated and sealed.
- Use Power Nozzle on carpeting and /or large floor rugs only.
- **DO NOT USE ON BARE OR HARDWOOD FLOORS.**
- Use on dry surfaces only. Do not use outdoors or on wet surfaces.

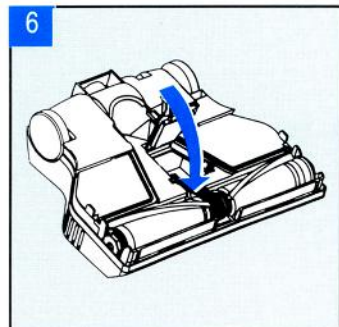
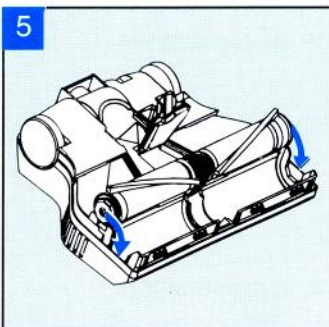
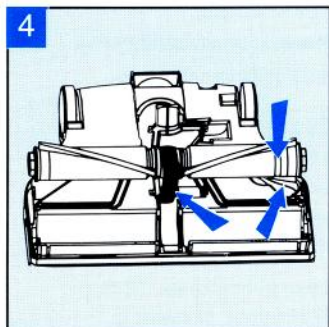
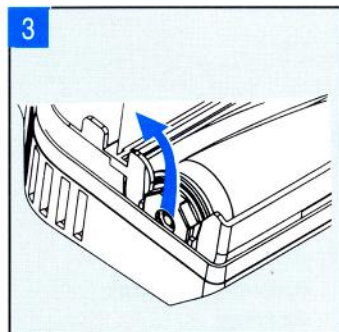
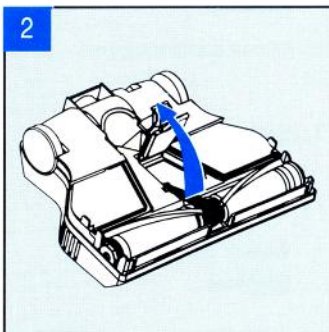
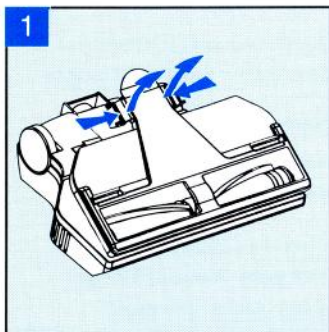
REPLACING A WORN BELT



1 NOTE: Always disconnect unit from the electrical supply when servicing. Turn the Power Nozzle upside down. Using thumb and index finger, depress the two snap latches holding the front sole plate in place. While depressing the two snap latches, lift and rotate the sole plate towards the front to remove it from the unit.

2 Insert finger under belt cover near the brush roll. Lift the belt cover to unlatch it and rotate it back towards the wand.

3 To remove the brush roll, grasp the outermost ends of the brush roll and lift the brush roll out of the pockets in the nozzle housing. Remove the worn or broken belt from the brush roll or the motor shaft.

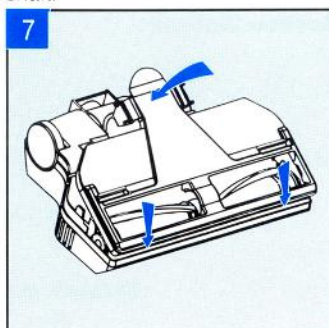


4 Loop the new belt around the pulley in the center of the brush roll. Position the brush roll over the unit so that indicator groove is nearest the spare belt pocket and the belt is hanging from the brush roll near the motor shaft. Position the belt around the motor shaft.

5 With the belt looped around the motor shaft and pulley in the center of the brush roll, position the ends of the brush roll on the rails located at the outboard edges of the Power Nozzle. Using both hands, slide the brush roll on the rails towards the front of the unit until the ends of the brush roll are fully seated into their pockets. Spin the brush roll by hand until the belt tracks in the center of the pulley on the brush roll.

6 Rotate the belt cover towards the front of the unit, and push down to snap it into place.

NOTE: Contact your local **Rainbow** distributor for a new Power Nozzle Belt. Store the new belt in the spare belt pocket under the sole plate.



7 Position the sole plate over the unit. Depress the front edge of the sole plate into the unit so that latch hooks are fully engaged. Depress the rear of the sole plate to engage the two snap latches.

OPERATIONS CHECKLIST

This **Rainbow** appliance was thoroughly tested and inspected at the factory. It was in good operating condition when shipped. If a minor problem develops, the following trouble-shooting procedures may help identify and correct the problem with a minimum inconvenience.

PROBLEM	POSSIBLE CAUSE	POSSIBLE SOLUTION
A. Motor Not Running	1. Handle Switch not activated	1. Must squeeze actuator in electrified hose handle
	2. Plug pulled loose from Rainbow	2. Reconnect to Rainbow
	3. Circuit breaker tripped	3. Disconnect power, Check for obstruction, Push reset button
B. Motor Running But Brush Not Revolving	1. Broken belt	1. Disconnect power, Remove sole plate, Make sure brush rotates freely, Replace belt
C. Brush Stopped (Cannot be rotated by hand)	1. Object lodged in brush chamber	1. Disconnect power, Remove sole plate, Remove foreign object, Make sure brush rotates freely
	2. Bearing worn out	2. Replace brush and bearing assembly by Distributor
D. Power Nozzle Not Picking Up Well	1. Clogged air chamber	1. Disconnect power, Remove sole plate, Clear out entire air chamber, Sight through pivot arm to make sure there are no obstructions
	2. Clogged wands or hose	2. Disconnect power, Remove obstruction, Connect to Rainbow , Make sure air is flowing freely through hose
	3. Bristles not in contact with carpet	3. Make sure sole plate is hooked over front lip of housing, Replace brush if bristles are worn too short

NOTE: If the above solutions do not prove successful, call your Authorized **Rainbow** Distributor.

