

Rainbow Power Nozzle Owner's Manual

800-523-0510

www.rainvac.com

TABLE OF CONTENTS



Message from the Manufacturer	2
Important Safeguards	3
Assembly of the Rainbow Power Nozzle	4
Operation of the Rainbow Power Nozzle	6
Carpet Height Selector	6
Service Information	6
Proper Care of the Rainbow Power Nozzle	7
Replacing the Power Nozzle Belt	7
Care and Cleaning of the Rainbow Hose	7
Power Nozzle Circuit Breaker	7
Operations Checklist	8

ONLY MODEL R-2800 C
IS LISTED



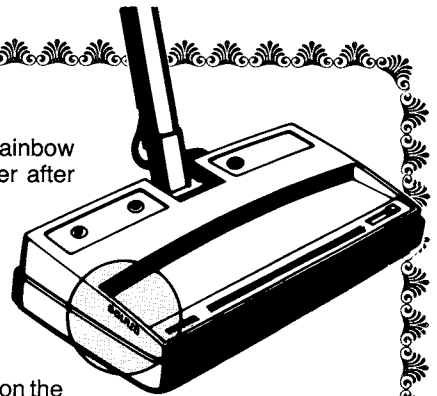
R-2800B



Consumer Care Number

As part of Rexair's Consumer Care program, all new Rainbow Power Nozzles receive a Consumer Care Serial Number after passing Quality Control testing at the factory. This serial number assists in providing:

1. Ownership identification for you;
2. Warranty identification for your Distributor;
3. Assurance of having cleared quality control;
4. Assurance of new "factory-fresh" condition.



For your protection, check to see that the serial number is on the Rainbow Power Nozzle at the location shown on the accompanying diagram. No new Rainbow Power Nozzle should be sold without this number. If the number is missing, Rexair makes no claims as to the origin, age, or condition of the unit. If you can not find a serial number on your Rainbow Power Nozzle, please call our customer service department at (313) 643-7222.

For your protection record the serial number in the space provided below. Save this information for future reference.

Serial No. _____

The configuration of the Rainbow Cleaning System and the words
Rainbow® and Rexair® are registered trademarks of Rexair, Inc. Troy, Michigan

MESSAGE FROM THE MANUFACTURER

Rexair, Inc.

REXAIR,® Inc., manufactures the Rainbow® Power Nozzle for sales only to independent businesspersons, who are experienced in direct in-the-home selling. Since Rexair, Inc., does not attempt to create a market for its product through national advertising, demand for the product is created by the individual efforts of thousands of direct sellers, who, by means of in-home demonstrations, create interest in, and desire for, the Rainbow products in their local communities. These wholly independent businesspersons assume the responsibility for the legitimate distribution and service of the Rainbow Power Nozzle directly through their employees and agents, or indirectly through their independent customer resellers, to the ultimate consumer.

Do not lose or mislay the name and address of the independent dealer or distributor from whom you bought the Rainbow Power Nozzle. Look to him or her for advice on service and the nearest service outlet.

Even though we the manufacturer neither deal directly with you, the consumer, nor provide a written warranty, the law imposes certain responsibilities on all manufacturers who make consumer products. The products must be generally fit for their intended uses, and be free of defects. These implied warranties of merchantability and fitness run with the product, as provided by the law of your state.

Rexair is selective as to those it appoints as its direct customers, the Registered Distributors. However, Rexair has no agreement or legal relationship with the independent resellers who may acquire products directly or indirectly from a Registered Distributor, and can only attempt to correct any customer complaints about such resellers through pressures imposed on each Registered Distributor.

Furthermore, any Registered Distributor who sells Rainbows to irresponsible independent resellers, who have no concern for consumer protection and deceptive practice laws, will be injuring both the buying public and the goodwill and name of Rexair and the Rainbow products. Since such customer abuses cannot be permitted, Rexair's announced policy is to hold each Registered Distributor responsible for the cost of remedying the results of any statement or action of any of the Registered Distributor's independent resellers that result in injury to, or abuse of, any member of the ultimate buying public.

Rexair further requires that each Registered Distributor make prompt and workmanlike services available through its own responsible service outlets or through responsible independent service outlets in communities in which it elects to sell directly or indirectly through its independent resellers to ultimate consumer users. These service facilities must be maintained wherever such sales have been made, even if the Registered Distributor or its independent reseller have discontinued their sales efforts in such communities.

Should you have any problem or question regarding the above, you should first contact the distributor or dealer from whom you purchased your Rainbow. If you have any problems locating that person, contact us at the address listed below, being sure that you include your Rainbow Serial Number. We will immediately send you the name, address, and phone number of the responsible Registered Distributor. If you feel that you cannot obtain satisfaction from that Registered Distributor, please contact us immediately. All of our Registered Distributors know of their responsibility.

For any additional information or assistance write to:

Rexair, Inc. • 3221 W. Big Beaver • Suite 200 • Troy, MI 48084 • (313) 643-7222



800-523-0510

www.rainvac.com

IMPORTANT SAFEGUARDS



Please read all instructions carefully before using your unit. Use your Rainbow only for its intended use as described in the instructions. The use of attachments not recommended by Rexair may cause hazards.

WARNING—To reduce the risk of fire, electric shock, or injury, when using an electrical appliance, basic precautions should always be followed, including the following:

- ① Make sure your home electrical system is properly grounded, whether your home is wired for two prongs or three.
- ② Close supervision is necessary when any appliance is used by or near children. Do not allow your Rainbow or Power Nozzle to be used as a toy or to run unsupervised at any time.
- ③ Unplug the Rainbow when not in use. Turn it off at the switch before unplugging. Grasp the plug to disconnect it from the wall outlet to avoid damage to cord, plug, prongs, or receptacle. Do not pull or carry by cord, use cord as a handle, close a door on cord, pull or carry around sharp edges or corners. Do not run appliance over cord. Keep cord away from heated surfaces. Do not use with damaged cord or plug.
- ④ Do not leave appliance when plugged in. Unplug Rainbow from outlet when not attended and before servicing.
- ⑤ If Rainbow or Power Nozzle is in disrepair, do not attempt to operate. If appliance is not working as it should, has been dropped, damaged, left outdoors, or dropped into water, return it to a service center.
- ⑥ Do not clean the unit, or unclog the hose until the Rainbow is switched off and the plug is removed from the wall outlet.
- ⑦ Do not operate out of an incandescent light fixture, or use any extension cords.
- ⑧ To avoid the possibility of fire or explosion, do not use your Power Nozzle in areas where flammable and/or explosive vapor or dust is present. Some cleaning fluids can produce such vapors. Areas on which such flammable cleaning fluids have been used should be completely dry and thoroughly aired before being vacuumed. Do not use the Rainbow or Power Nozzle to unplug drains. If sewer gas is drawn into the Rainbow it could cause an explosion.
- ⑨ No one should ever touch a metal sink, cold or hot water pipe with one hand while touching the metal parts of any electrical appliance, light fixture or switch with the other hand. One's body could complete an electrical circuit to the ground. Additionally, wet skin surfaces can greatly increase this hazard. Do not handle plug or appliance with wet hands.
- ⑩ (a) Do not put any objects into openings. Do not use with any openings blocked; Keep free of dust, lint, hair, and anything that may reduce air flow; (b) Keep hair, loose clothing, fingers, and all parts of the body away from openings and moving parts; (c) Do not pick up anything that is burning or smoking such as cigarettes, matches or hot ashes; (d) Ensure that the proper amount of water is in the waterpan before using; (e) Use extra care when cleaning on stairs; (f) Do not use to pickup flammable or combustible liquids such as gasoline or use in areas where they may be present.
- ⑪ This appliance is provided with double insulation. Use only identical replacement parts. See instructions for Servicing of the Double-Insulated appliances.
- ⑫ Always follow these IMPORTANT SAFEGUARDS.
- ⑬ Your Power Nozzle contains a powerful revolving brush. To avoid bodily injury, the Power Nozzle should not be placed against or in close proximity to loose clothing, jewelry, hair or body surfaces while cleaner is connected to electrical outlet. The Power Nozzle circuit breaker does NOT protect against bodily injury or damage to objects that contact the revolving brush.

**WARNING: TO AVOID ELECTRICAL SHOCK
DO NOT USE ON WET SURFACES.
FOR HOUSEHOLD USE ONLY.**

CAUTION: Do not use the Rainbow to clean the fireplace or the chimney flue, or any other oily or greasy compounds (such as soot) or ashes, ceramic dust, drywall, plaster dust or other powdery substances that are impervious to the wetting action of water. Do not use Rainbow to pick up any volatile or toxic materials.

**USE THE RAINBOW ONLY AS DIRECTED IN
THIS OPERATION MANUAL!**

SAVE THESE INSTRUCTIONS

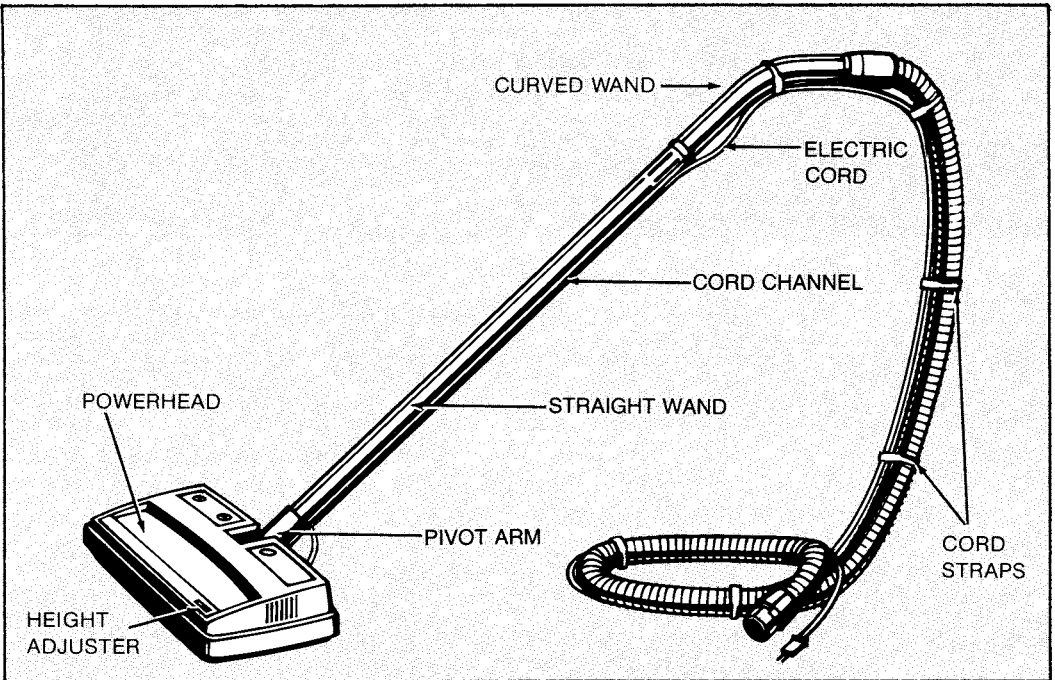
TO ASSEMBLE THE POWER NOZZLE

1. Push straight wand into pivot arm of the motorized Powerhead unit.
2. Insert the electric cord into the long cord channel guide on straight wand, by pressing the cord into channel guide with thumb.
3. Leave a bit of slack in the lower cord at the base of the straight wand (and pivot arm) to enable the handle to be raised and lowered.

SERVICING

SERVICING OF DOUBLE-INSULATED APPLIANCE — In a double-insulated appliance, two systems of insulation are provided instead of grounding. No grounding means is provided on a double-insulated appliance, nor should a means for grounding be added to the appliance. Servicing a double-insulated appliance requires extreme care and knowledge of the system, and should be done only by qualified service personnel. Replacement parts for a double-insulated appliance must be identical to the parts they replace. A double-insulated appliance is marked with the words "DOUBLE-INSULATION" or "DOUBLE-INSULATED." The Symbol (square within a square) may also be marked on the appliance.

Any servicing other than cleaning should be performed by an authorized service representative.



Your Rainbow Power Nozzle is equipped with a rating plate which lists the model number as follows:

**RAINBOW® POWER NOZZLE
MODEL R-2800C*
MFG. BY REXAIR INC, CADILLAC, MICHIGAN**

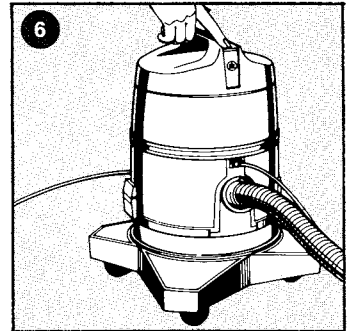
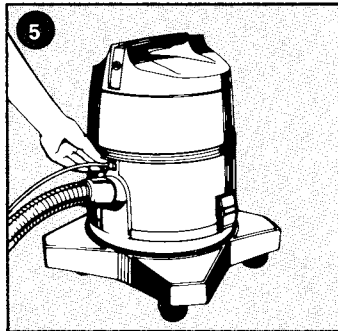
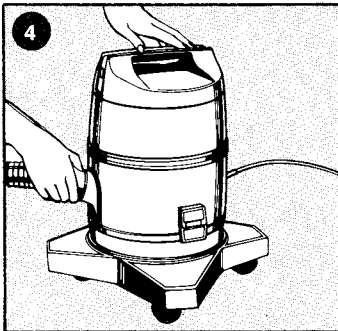
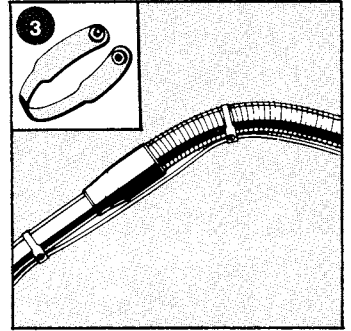
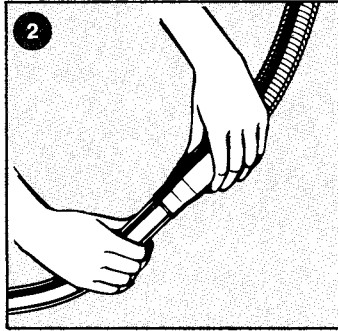
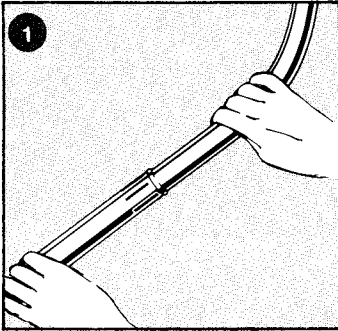
120 VOLTS AC, 60 HZ 1.4 AMPS

*R-2800B for Power Nozzles Sold in Canada.

1 Connect the handle (short curved wand) by inserting into the long, straight Power Nozzle wand. Should the wands slip apart, use the curved wand section to lightly tap the metal between the slots at end of straight wand until snug fit is obtained. Should wands wedge tightly together, hold parallel to the rug or carpet and drop them. The vibration will cause them to loosen. Repeat the process, if necessary. If the wands are properly adjusted for snugness, they will not wedge together.

2 To connect handle (curved wand) to hose, push soft end of hose over hump on handle.

3 Attach the extension cord to the handle (curved wand) and to the hose. Six cord straps are provided for this purpose. Use the shortest cord strap to secure the extension cord to the handle. Use the remaining straps (space evenly) to attach the extension cord to the hose. Once in place, the straps need not be removed.



4 Insert the metal end of hose into the air intake of the Rainbow Cleaner until it clicks. To remove, press spot on coupling marked "PRESS" and pull from machine.

5 Plug the Power Nozzle cord into the special receptacle of the Rainbow Cleaner as shown.

6 After the electrical connections are made, the ON/OFF switch on the Rainbow power unit will operate both the Cleaner and the motorized Power Nozzle. Snap switch on power unit to "ON" with a flick of the fingertips.

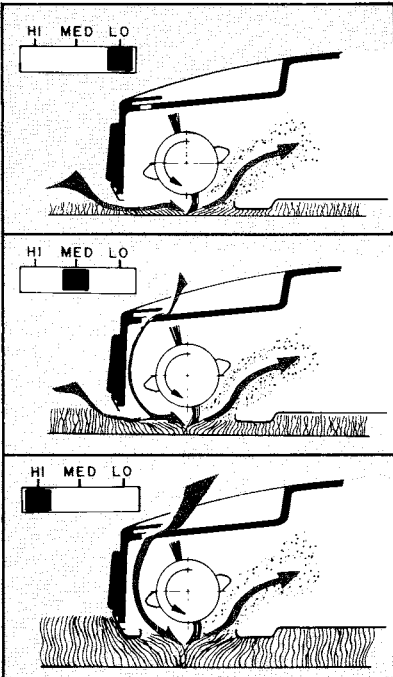
OPERATION AND CARE

Carpet Selection Feature

The Rainbow Power Nozzle is equipped with a unique carpet selection feature. This adjustment allows you to control the airflow to achieve maximum cleaning efficiency and ease of use on all types of carpet.

For Short Nap Carpets:

Set the selector button to the "LO" position. This closes off the jet vents forcing the flow of air through the air relief depressions in the front of the sole plate.



For Medium Nap Carpets:

Set the selector button to the "MED" position. This setting provides a partial jet assist to aid the air relief depressions in the sole plate.

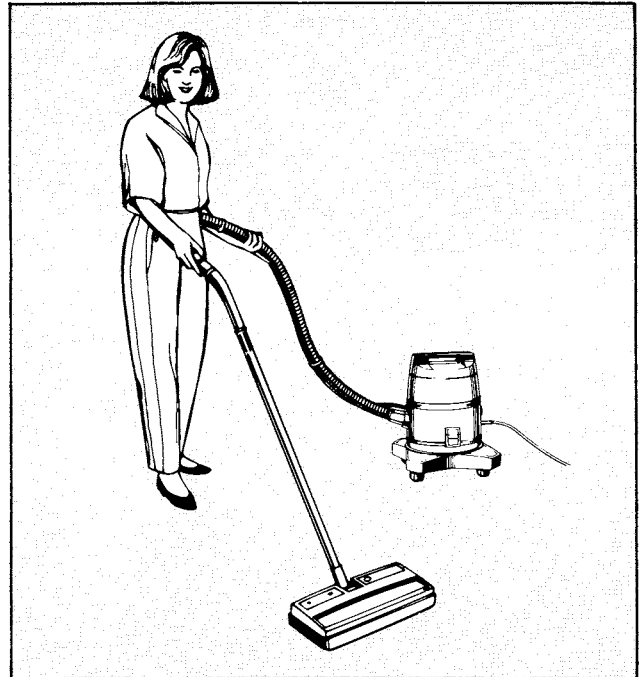
For Deep Nap Carpets:

Set the carpet selector button to the "HI" position. This setting provides maximum air flow and cleaning ability on heavy carpets.

Proper Use

With the machine at the left and to the rear, hold the handle with the right hand at a comfortable angle. Grasp the hose with left hand making a loop behind the back. Slowly guide the Power Nozzle back and forth in smooth and easy strokes. Let the Power Nozzle and the Rainbow Cleaner do the work.

IMPORTANT: FOR COMPLETE OPERATING INSTRUCTIONS OF THE RAINBOW CLEANER, REFER TO RAINBOW OPERATION MANUAL.



SERVICE INFORMATION: PLEASE READ VERY CAREFULLY...

THE PERFORMANCE OF YOUR NEW CLEANER GREATLY DEPENDS UPON HOME MAINTENANCE. THE INSTRUCTIONS GIVEN IN THIS BOOKLET WILL GUIDE YOU IN PERFORMING SIMPLE HOME MAINTENANCE. TO OBTAIN THE MOST SATISFYING YEARS OF SERVICE, READ THROUGH THESE INSTRUCTIONS AND KEEP THEM HANDY FOR FUTURE REFERENCE.

- Always pick up hard or sharp objects by hand before using your Cleaner. Items such as pins, hairpins, tacks, crayons, and pencil stubs may damage the brush roll or may break a belt.
- **DO NOT OIL MOTOR.** The motor is permanently lubricated and sealed.
- Use Power Nozzle on carpeting and/or large floor rugs only.
- Use on dry surfaces only. Do not use outdoors or on wet surfaces.

To Replace a Worn Belt

1 NOTE - Be sure to disconnect unit from electrical supply. Using a screwdriver, remove the chrome bottom plate by removing the two screws which hold the plate in place. Remove the worn or broken belt from the brush roll pulley and the motor drive shaft.

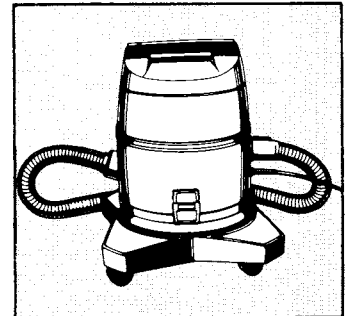
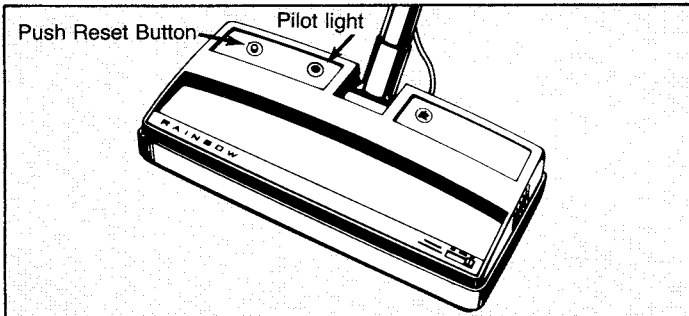
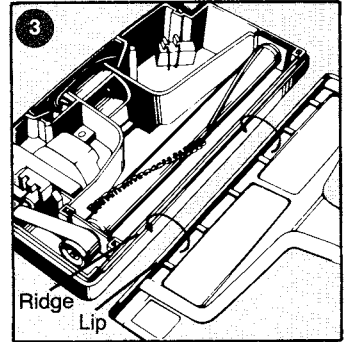
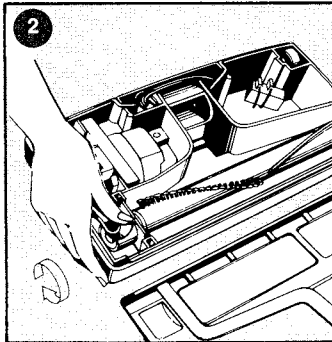
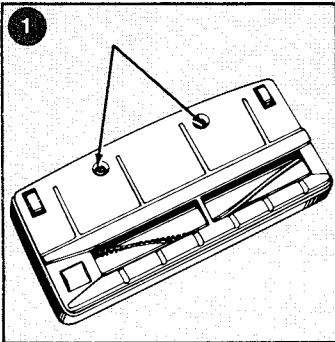
2 Loop the new belt around the center of the motor drive shaft. Slip the opposite loop of the belt between the brush roll pulley and the nozzle housing.

Using the thumb and the finger, rotate the belt onto the pulley, wrapping the belt all the way around the pulley.

Spin the brush roll by hand until the belt tracks in the center of the pulley.

3 Place the lip on front of the bottom plate over the ridge across the front of the nozzle.

Press the bottom plate down into place on the nozzle & replace the two screws. Refer to picture #1.



EACH RAINBOW NOZZLE IS PROTECTED AGAINST MOTOR BURNOUT BY A RESETTABLE CIRCUIT BREAKER. IN THE EVENT THAT THE MOTOR SHOULD BECOME OVERLOADED, THE CIRCUIT BREAKER WILL OPEN AND AUTOMATICALLY SHUT OFF THE POWER TO THE MOTOR. WHEN THIS OCCURS THE MOTOR WILL STOP RUNNING, BUT THE PILOT LIGHT WILL REMAIN LIGHTED AND THE RESET BUTTON WILL POP UP.

To Reset Circuit Breaker

1. Disconnect unit from the electrical supply.
2. Remove any object that may have stalled the brush roll.
3. Rotate the brush roll by hand to make sure it is not frozen in position.
4. Push reset button downward until it snaps into its original position.
5. Reconnect the Power Nozzle extension cord to the electrical supply of the Rainbow Cleaner.

To Clean Hose

Insert hard coupling marked "PRESS" into blower opening of the cleaner, after removing blower cap. Place the soft end of the hose into the suction opening. Switch on Cleaner motor and jiggle hose. Any dirt stuck in the hose will be drowned in the Rainbow's water bath.

NOTE - Be sure to read Note 6 in the Important Safeguard Section.

OPERATIONS CHECKLIST



This Rainbow appliance was thoroughly tested and inspected at the factory. It was in good operating condition when shipped. If a minor problem develops, the following trouble shooting procedures may help identify and correct the problem with a minimum inconvenience.

PROBLEM	POSSIBLE CAUSE	POSSIBLE SOLUTION
A. Motor Not Running	1. Plug pulled loose from Rainbow	1. Reconnect to Rainbow
	2. Circuit breaker tripped	2. Disconnect power, Check for obstruction, Push reset button
B. Motor Running, But Brush Not Revolving	1. Broken belt	1. Disconnect power, Remove sole plate, Make sure brush rotates freely, Replace belt
C. Brush Stopped (Cannot be rotated by hand)	1. Object lodged in brush chamber	1. Disconnect power, Remove sole plate, Remove foreign object, Make sure brush rotates freely
	2. Bearing worn out	2. Replace brush and bearing assembly
D. Power Nozzle Not Picking Up Well	1. Clogged air chamber	1. Disconnect power, Remove sole plate, Clear out entire air chamber, Sight through pivot arm to make sure there are no obstructions.
	2. Clogged wands or hose	2. Loosen clog with a cylindrical object, Connect to Rainbow, Make sure air is flowing freely through hose
	3. Bristles not in contact with carpet	3. Make sure sole plate is hooked over front lip of housing, Replace brush if bristles are worn too short

NOTE: If the above solutions do not prove successful, call your Registered Independent Distributor.